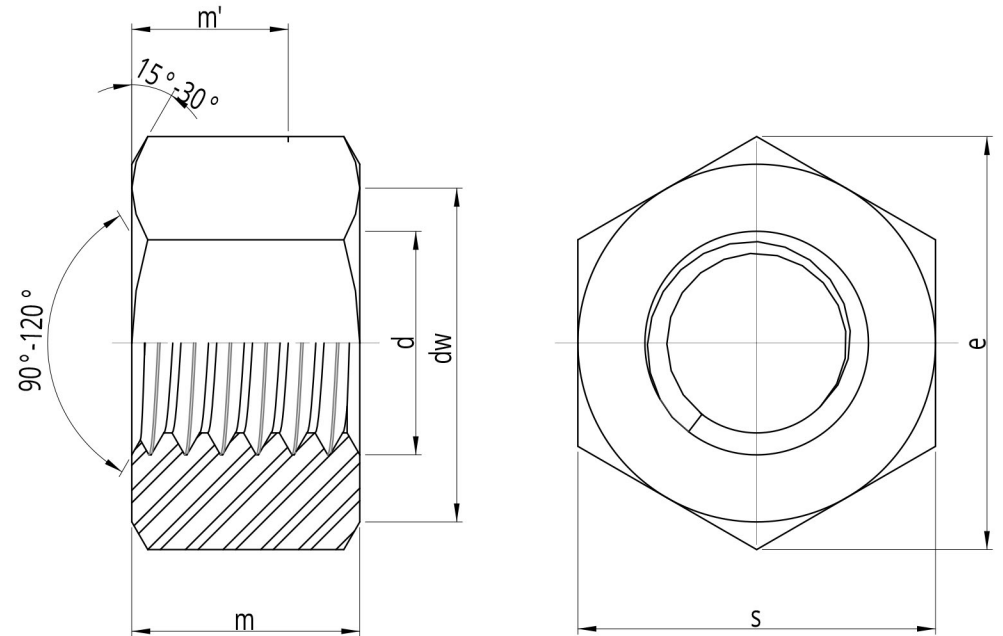


## FURTHER INFORMATION

Diameter (d)	Pitch	s	m
M1.0	0.25	2.50-2.40	0.80-0.55
M1.2	0.25	3.00-2.90	1.00-0.75
M1.4	0.30	3.00-2.90	1.20-0.95
M1.6	0.35	3.20-3.02	1.30-1.05
M1.7	0.35	3.50-3.38	1.40-1.15
M2	0.40	4.00-3.82	1.60-1.35
M2.3	0.40	4.50-4.32	1.80-1.55
M2.5	0.45	5.00-4.82	2.00-1.75
M2.6	0.45	5.00-4.82	2.00-1.75
M3	0.50	5.50-5.32	2.40-2.15
M3.5	0.60	6.00-5.82	2.80-2.55
M4	0.70	7.00-6.78	3.20-2.90
M5	0.80	8.00-7.78	4.00-3.70
M6	1.00	10.00-9.78	5.00-4.70
M7	1.00	11.00-10.73	5.50-5.20
M8	1.25	13.00-12.73	6.50-6.14
M10	1.50	17.00-16.73	8.00-7.64
M12	1.75	19.00-18.67	10.00-9.64
M14	2.00	22.00-21.67	11.00-10.30
M16	2.00	24.00-23.67	13.00-12.30
M18	2.50	27.00-26.16	15.00-14.30
M20	2.50	30.00-29.16	16.00-14.90
M22	2.50	32.00-31.00	18.00-16.90
M24	3.00	36.00-35.00	19.00-17.70
M27	3.00	41.00-40.00	22.00-20.70
M30	3.50	46.00-45.00	24.00-22.70
M33	3.50	50.00-49.00	26.00-24.70
M36	4.00	55.00-53.80	29.00-27.40
M39	4.00	60.00-58.80	31.00-29.40
M42	4.50	65.00-63.10	34.00-32.40
M45	4.50	70.00-68.10	36.00-34.40
M48	5.00	75.00-73.10	38.00-36.40
M52	5.00	80.00-78.10	42.00-40.40
M56	5.50	85.00-82.80	45.00-43.40



<b>JONZ</b>	标准:	DIN934
www.jonz-china.com 021-6052 2752	名称:	六角螺母
以上数据信息仅供参考.		