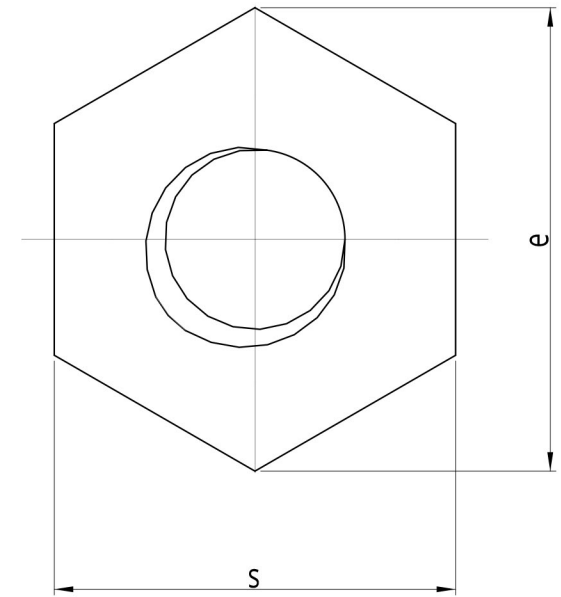
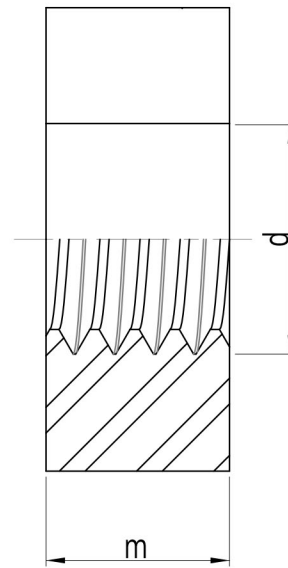


FURTHER INFORMATION

Diameter (d)	Pitch	s	m
M1.6	0.35	3.20-3.02	1.00-0.75
M2	0.40	4.00-3.82	1.20-0.95
M2.3	0.40	4.50-4.32	1.60-1.35
M2.5	0.45	5.00-4.82	1.60-1.35
M2.6	0.45	5.00-4.82	1.60-1.35
M3	0.50	5.50-5.32	1.80-1.55
M3.5	0.60	6.00-5.82	2.00-1.75
M4	0.70	7.00-6.78	2.20-1.95
M5	0.80	8.00-7.78	2.70-2.45
M6	1.00	10.00-9.78	3.20-2.90
M8	1.25	13.00-12.73	4.00-3.70
M10	1.50	17.00-15.73	5.00-4.70
M12	1.75	19.00-17.73	6.00-5.70
M14	2.00	22.00-20.67	7.00-6.42
M16	2.00	24.00-23.67	8.00-7.42
M18	2.50	27.00-26.16	9.00-8.42
M20	2.50	30.00-29.16	10.00-9.10
M22	2.50	32.00-31.00	11.00-9.90
M24	3.00	36.00-35.00	12.00-10.90
M27	3.00	41.00-40.00	13.50-12.40
M30	3.50	46.00-45.00	15.00-13.90
M33	3.50	50.00-49.00	16.50-15.40
M36	4.00	55.00-53.80	18.00-16.90
M39	4.00	60.00-58.80	19.50-18.20
M42	4.50	65.00-63.10	21.00-19.70
M45	4.50	70.00-68.10	22.50-21.20
M48	5.00	75.00-73.10	24.00-22.70



JONZ	标准:	DIN439
www.jonz-china.com 021-6052 2752	名称:	六角薄螺母
以上数据信息仅供参考.		